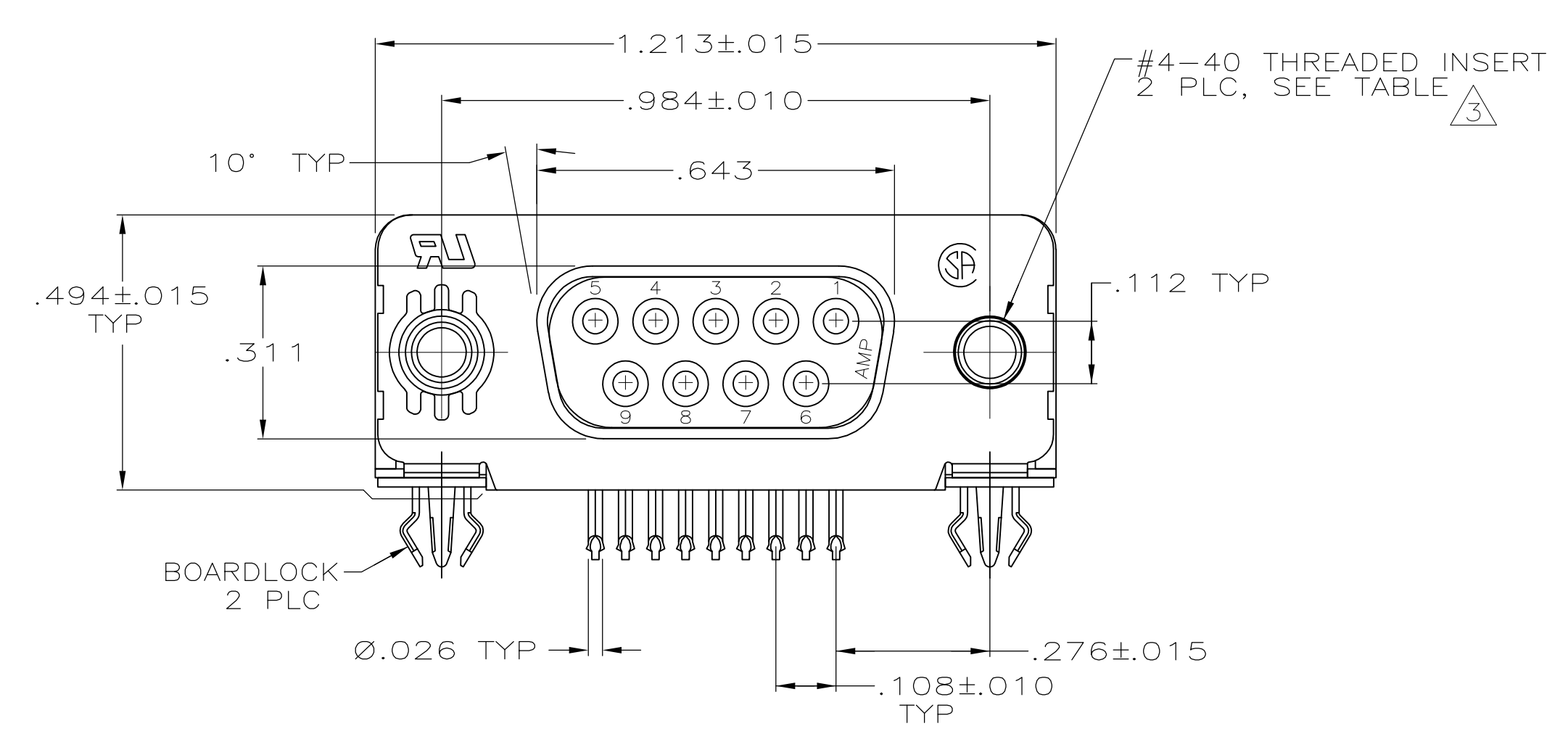
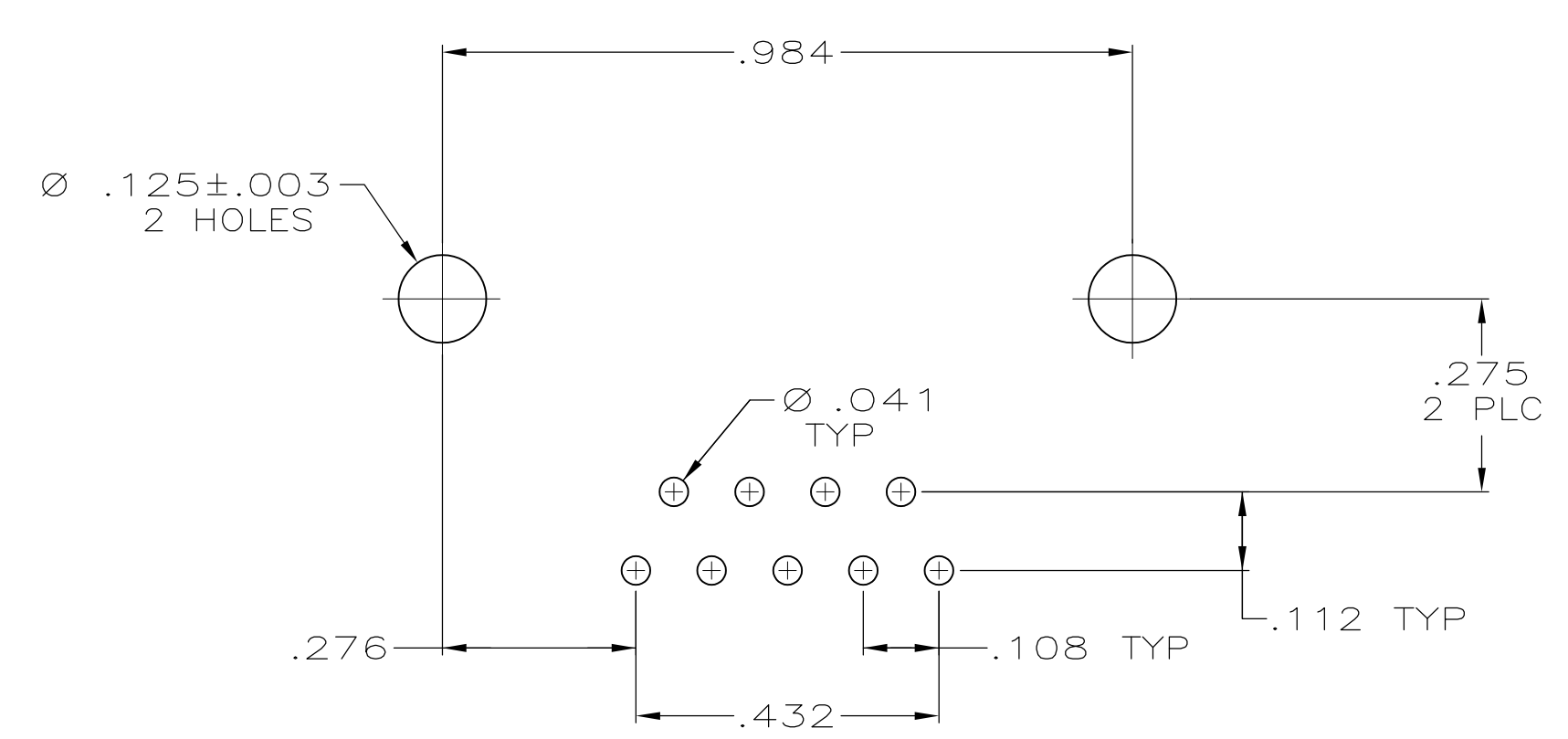
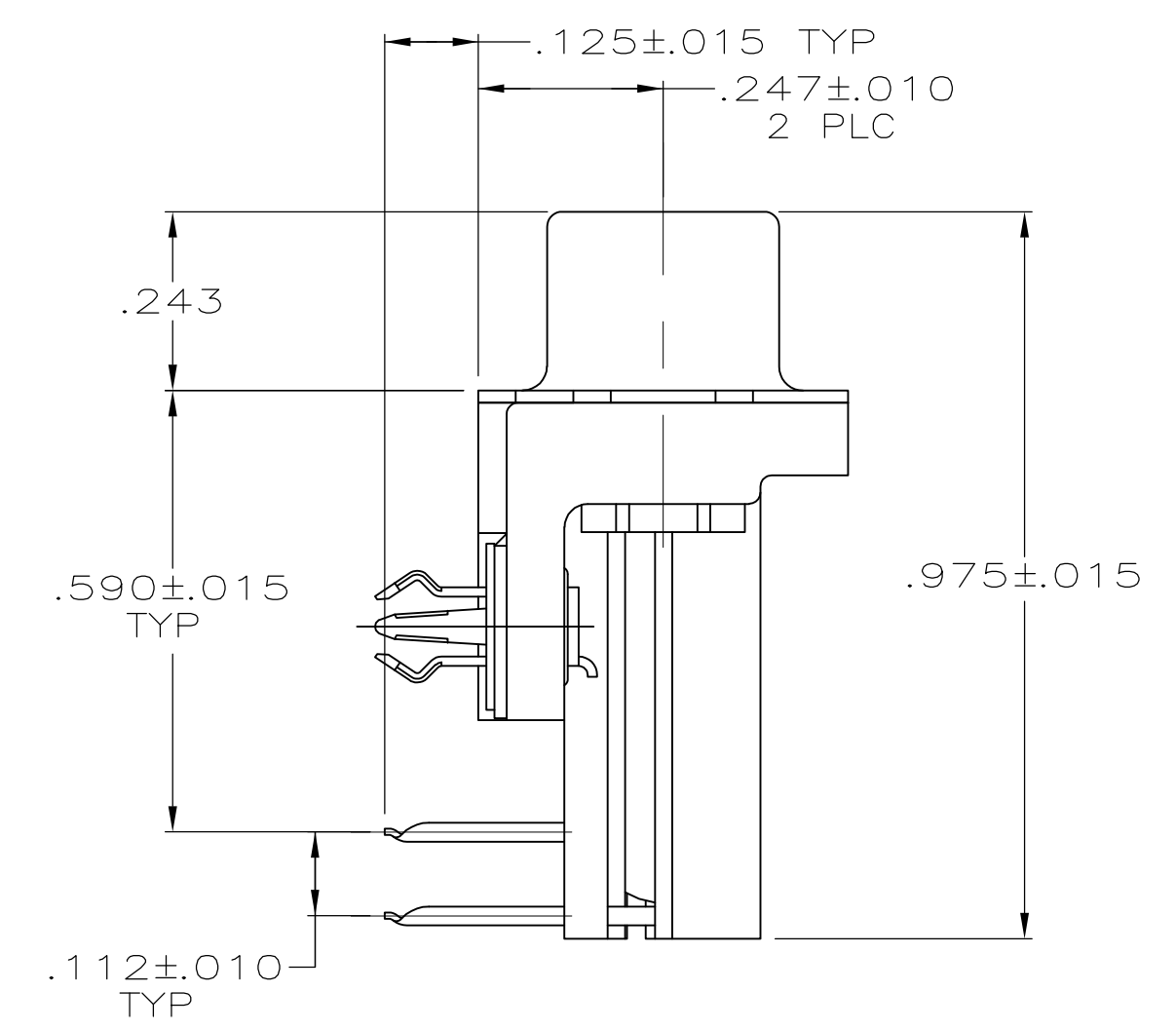
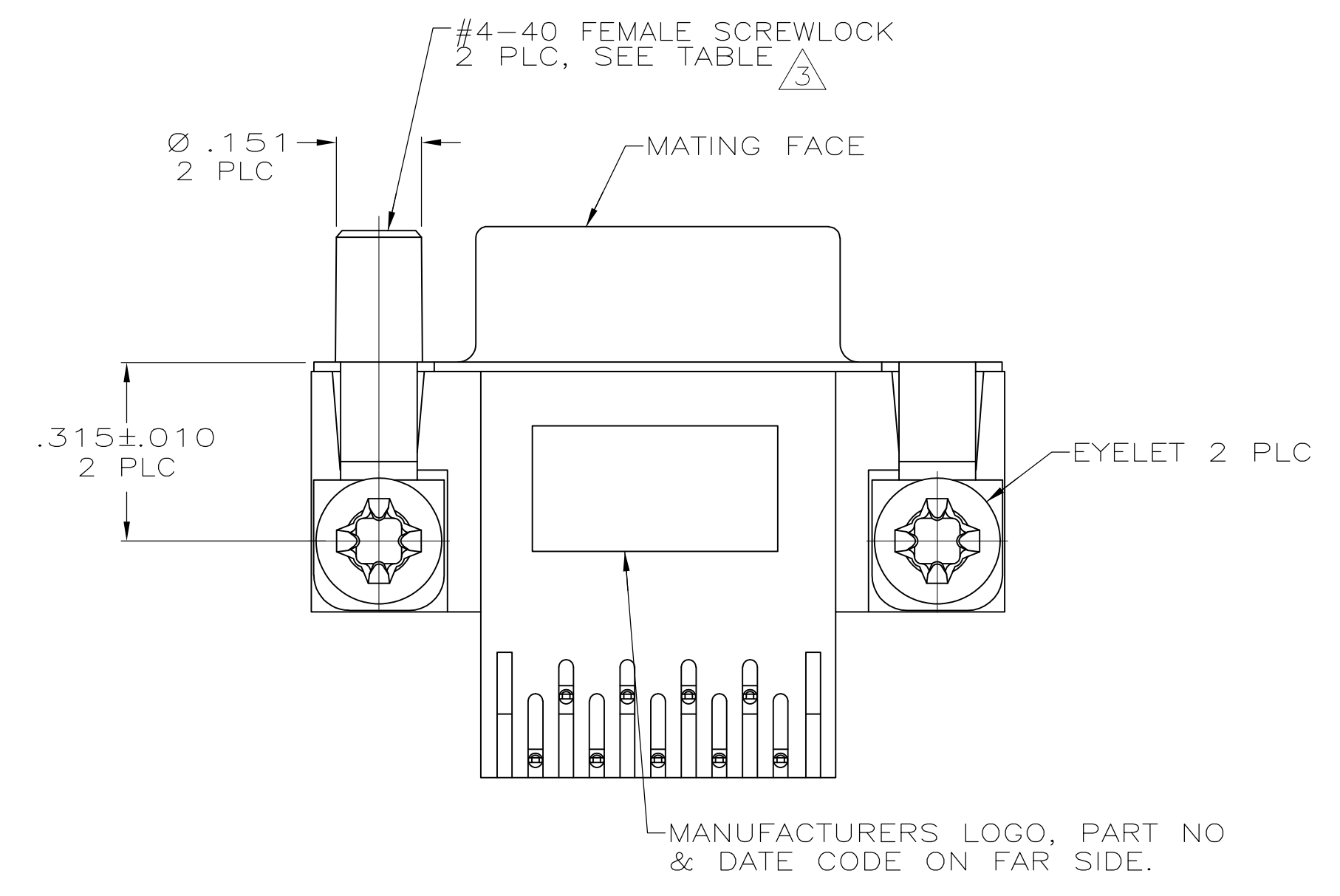


LOC		DIST		REVISIONS			
P	LTR	DESCRIPTION	DATE	DWN	APVD		
P		REVISED PER ECO-11-004835	11MAR11	RK	HMR		



- ⚠ HOUSING: NYLON OR POLYESTER, FLAME RETARDANT, UL 94V-0 RATED, GLASS FILLED, BLACK.
CONTACTS: PHOS BRONZE.
SHELL: CARBON STEEL.
EYELETS: BRASS.
BOARDLOCKS: COPPER ALLOY.
SCREWLOCKS: ZINC.
INSERTS: ZINC.
- ⚠ CONTACTS: .000030 GOLD FOR A DISTANCE OF .100 MIN FROM MATING END, .000100-.000200 TIN ON TERMINATION END, ALL OVER .000050 NICKEL ON ENTIRE CONTACT.
SHELL: .000100 MIN TIN OVER .000050 MIN NICKEL.
EYELETS: .000200 MIN TIN OVER COPPER FLASH.
BOARDLOCKS: .000200 MIN TIN OVER .000050 MIN NICKEL.
SCREWLOCKS: CLEAR CHROMATE.
INSERTS: CLEAR CHROMATE.
- ⚠ SCREWLOCKS & INSERTS WILL WITHSTAND 4 IN LBS TORQUE & 20 LBS PULL OUT FORCE FROM MATING FACE SIDE.



FEMALE SCREWLOCKS	5747836-6
THREADED INSERTS	5747836-4
MOUNTING HARDWARE	PART NUMBER

**COPYRIGHT 2005
TE CONNECTIVITY CORP
ALL RIGHTS RESERVED**

THIS DRAWING IS A CONTROLLED DOCUMENT.		DIN G. ATTADIA - 04-11-05		S. BOLASH - 04-11-05	
DIMENSIONS: INCHES		TOLERANCES UNLESS OTHERWISE SPECIFIED:		APVD M. WALMSLEY 04-11-05	
0 PLC ± -		1 PLC ± -		NAME RECEPTACLE ASSEMBLY, SIZE 1, RIGHT ANGLE, .590 SERIES, FRONT METAL SHELL, .026 DIA POSTS, BOARDLOCKS, AMPLIMITE HD-20	
1 PLC ± -		2 PLC ± -		PRODUCT SPEC 108-40025	
2 PLC ± -		3 PLC ± .005		APPLICATION SPEC 114-40010	
3 PLC ± -		4 PLC ± -		SIZE CAGE CODE DRAWING NO RESTRICTED TO	
4 PLC ± -		ANGLES ± °		WEIGHT A1 00779 C=5747836	
MATERIAL		FINISH		CUSTOMER DRAWING SCALE 4:1 SHEET 1 OF 1 REV P	